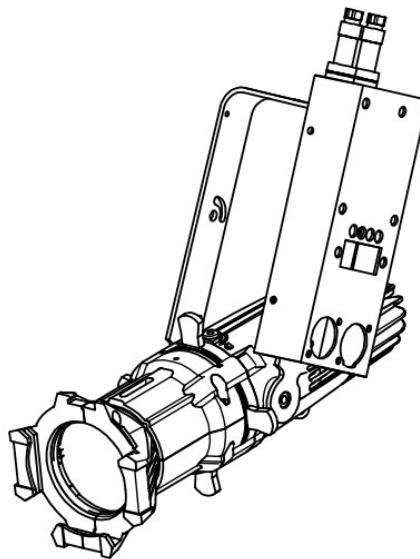


elektrALite

Mini Stingray Warm White/Cool White



**Elektralite (a division of Group One),
70, Sea Lane, Farmingdale, NY11735, U.S.A.
T. +1 (631)-396-0184. F. +1 (631)-396-0190
WWW.MYELEKTRALITE.COM**

1. Unpacking

Thank you for choosing the **Elektralite WW/CW White Mini Stingray** fixture. For your own safety, please read this manual before installing the fixture. This manual covers important information on installation and applications. Please keep this manual for future reference.

To keep this simple, we are going to refer to the fixture as the **Elektralite WW/CW Mini Stingray** throughout the manual.

The **Elektralite WW/CW Mini Stingray** fixture uses a single COB led with a balanced array of elements giving incredible output. Please unpack it carefully and check whether it was damaged in shipping.

The following items should be in the box with the fixture:-

- Power cable with Edison connector
- Jumper cable to extend DMX module away from the fixture yoke.

2. Safety Instructions.

This device has left the factory in perfect condition. In order to maintain this condition and to ensure a safe operation, it is absolutely necessary for the user to follow the safety instructions and warning notes written in this user manual. The **Elektralite WW/CW Mini Stingray** is a high voltage fixture. Be careful when dealing with high voltages.

Please read this manual. If you do not read this manual and damages occur to the Elektralite WW/CW Mini Stingray, then it could void the warranty.

During shipping, **Elektralite WW/CW Mini Stingray** may have been exposed to high temperature changes or humidity changes. So, as a precaution, do not switch **Elektralite WW/CW Mini Stingray** on immediately. Condensation can damage **Elektralite WW/CW Mini Stingray** so leave it switched off, until it has reached room temperature.

The electric connection must be carry out by a qualified person.

Always disconnect the **Elektralite WW/CW Mini Stingray** from the power source, when the device is not in use or before cleaning it. Only unplug **Elektralite WW/CW Mini Stingray** from the power cord. Never pull out the plug out by pulling on the power cord.

Please keep the **Elektralite WW/CW Mini Stingray** away from children and the general public. Please be intelligent and use common sense when operating the **Elektralite WW/CW Mini Stingray**.

3. General Guidelines.

The **Elektralite WW/CW Mini Stingray** is a lighting fixture for professional use on stages, in churches, theatres, etc.

The **Elektralite WW/CW Mini Stingray** should only be operated at 120 volts and only indoors.

The **Elektralite WW/CW Mini Stingray** should not be operated 24/7 (24 hours a day; 7 days a week). The **Elektralite WW/CW Mini Stingray** needs operation breaks to ensure that it will work for a long time without problems. Please do not shake the **Elektralite WW/CW Mini Stingray** and avoid using brute force when installing or operating it.

When choosing the location to install the **Elektralite WW/CW Mini Stingray**, please make sure that it is not exposed to extreme heat, moisture or dust. The minimum distance between the **Elektralite WW/CW Mini Stingray** and the illuminated surface must be more than 3 feet.

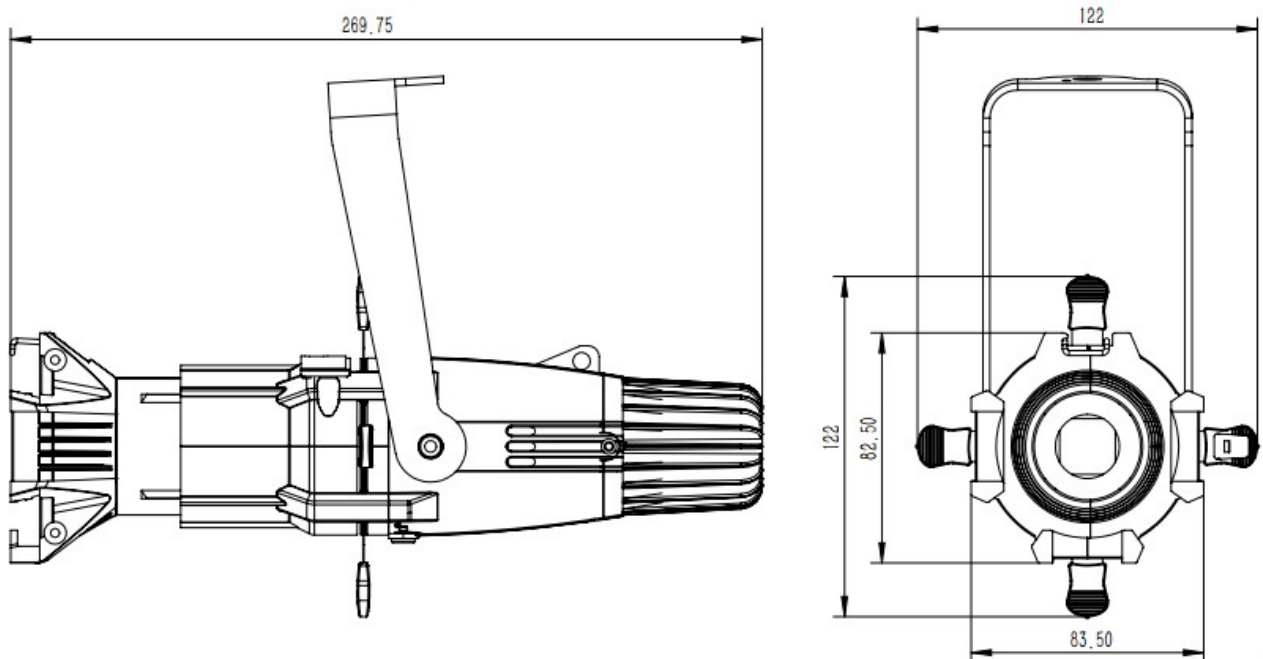
Always mount the **Elektralite WW/CW Mini Stingray** with an appropriate safety cable/chain.

Operate the **Elektralite WW/CW Mini Stingray** only when you are familiar with the features on the fixture. Do not permit operation by persons not qualified to operate it.

All modifications to the **Elektralite WW/CW Mini Stingray** will invalidate the warranty. There are absolutely no exceptions. If **Elektralite WW/CW Mini Stingray** is operated in any way different to the one described in this manual, the **Elektralite WW/CW Mini Stingray** maybe damaged and the guarantee will be void.

4. Main Features.

- 1*20W COB LED (Warm white or Cool white)
- Color Rendering Index (CRI): $Ra \geq 90$
- Optimized high definition optical system for improved photometric performance and field uniformity
- Projector-quality, high contrast aspheric lens
- Glass reflector that removes greater than 90% infrared radiation (heat) and reflects greater than 95% of visible light
- Power Max: 20W
- Housing made utilizing rugged, die-casting aluminum
- Flat even field giving a spot image
- Smooth manual focus system
- Beam edge continually adjustable hard-to-soft
- Thermally insulated rear handle
- Thermally insulated knobs and single aluminum handle for installing
- Metal gobo slot (for use with gobo holder : sold separately. Diameter of hole is 25.4mm = 1").
- Color/Gel frame slot (for use with color/gel frame : sold separately. Frames are square 70mm = 2.755").
- 4 Metal shutter blades
- 0-100% Smooth and precise linear dimmer
- 25T/sec high speed shutter/strobe effect with WW/CW speed
- 2 personality profiles for operation as either 1 channel or 3 channel DMX.
- DMX512, master-slave, and sound control or auto operation
- 4-Button digital display
- 5-Pin XLR connectors IN and THRU
- Fanless cooling system
- -30~40°C Max ambient temperature
- IP20 protection rating



All measurements are in MM. 1 inch is equal to 25.4mm.
DMX Module is not shown just the fixture in the above.

4. Changing Lenses.

The **Elektralite WW/CW Mini Stingray** can accept a variety of different lenses. When replacing the lens remove the thumb screw but be careful that the lens does not fall out of the body of the fixture.

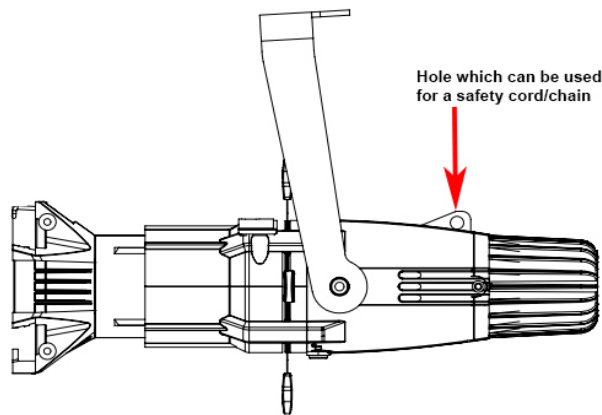
5. Installation

Please ensure that the **Elektralite WW/CW Mini Stingray** is hung using the appropriate "C" clamp or half cheeseboro. A safety chain or cable should also be used as a secondary point of holding the fixture in case the clamp comes loose. **Never hang the fixture without a safety chain or cable.** If a Color/Gel frame (Color/Gel holder) has been purchased separately please ensure that it is clipped into position correctly and cannot come loose.

If you are not qualified or have any doubts about hanging the **Elektralite WW/CW Mini Stingray** then do **NOT** hang it.

Do not clamp the cable to the U bracket or clamp. That is not a secondary safety point.

A secondary safety point is any point that will adequately hold the **Elektralite WW/CW Mini Stingray** if the "C" clamp or half cheeseboro fails. Then the safety cable would be the backup and stop the fixture from falling to the ground. So do **NOT** fix the safety to the same place that the "C" clamp is attached.



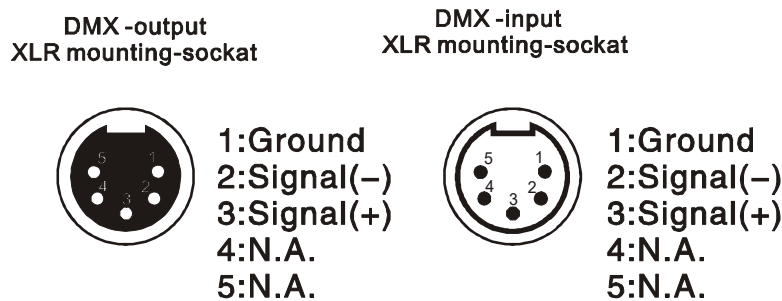
Installation during construction.

Many times fixtures are installed during the construction phase of a building. It is imperative that the fixture is protected during this phase. A lot of dust is usually created. This dust can adversely affect the fixture. Specifically, of course, in coating the lenses and therefore reducing the output. It can also damage electronics which can lead to the fixture failing immediately or prematurely in its life cycle. If covering the fixture is determined to be the best solution, **MAKE SURE THE FIXTURE IS DISCONNECTED FROM ALL ELECTRICAL POWER.** The fixture does generate heat and it can burn items that are brought within close proximity. So do not have power to the fixture.

6. DMX-512 Control and Power input Connections

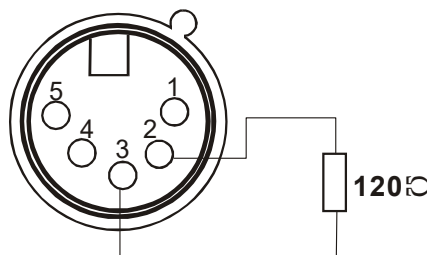
Connect an XLR cable (not provided) to the female 5-pin XLR output of the DMX controller. The other end should be connected to the male 5-pin XLR input of the **Elektralite WW/CW Mini Stingray**. Then daisy-chain out of the first **Elektralite WW/CW Mini Stingray** and into the next **Elektralite WW/CW Mini Stingray** or other dmX device. Never “Y” split the DMX connection.

If you need more cable, then it should be two core, screened cable fitted with a 5 pin XLR input and output connector. Please refer to the diagram below.

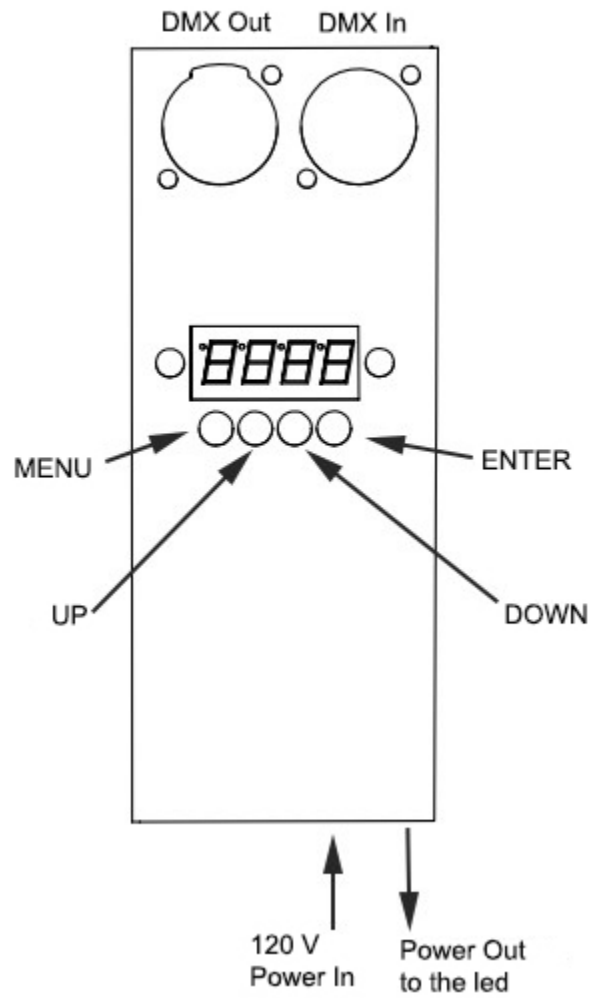


DMX-512 connection with DMX terminator

For installations where the DMX cable has to run a long distance or is in an electrically “noisy” environment, it is recommended that a DMX terminator is used. This helps prevent corruption of the digital control signal. The DMX terminator is simply a 5 pin XLR plug (male) with a 120 Ω resistor connected between pins 2 and 3. It is then plugged into the output XLR socket of the last **Elektralite WW/CW Mini Stingray** or other dmX device in the chain. Please see illustration below.



The DMX module and integral power supply



7. Menus in the fixture.

Press the MENU button to change the menu

On the Screen	Description	Operation	
A001	Advanced DMX	Use the ↑ or ↓ buttons to choose the DMX starter address. Press the ENTER button to save.	
	"A" uses the 3 channel dmx profile for the fixture		
d001	dMX		
	"d" uses the 1 channel dmx profile for the fixture.		
SLAVE	SLAVE		
	The profile will be the same as "d001"		
<p>In slave mode :-</p> <ol style="list-style-type: none"> 1、 Make sure there is only one master fixture 2、 The slave fixture(s) will copy exactly the signal sent to the master. 			
SEAL	Static	Use the ↑ or ↓ buttons to choose the output level (brightness) for the warm white or cool white leds.	
SE01	Strobe	Use the ↑ or ↓ buttons to choose the speed of the strobe from 1 to 50. Press ENTER to save.	
Sound	Sound	a "clap" or loud noise will turn the led output "on" or "off".	
There is a "Sub Menu" to the Sound root menu. See following page.			

8. Sound Sub menus.

When the screen displays the word “Sound” if the “enter button is pressed and held down for several seconds, then a new Sub Menu is activated with the following parameters.

On the Screen	Description	Operation	Description
Lt30	LED time “on”	Use the ↑ or ↓ buttons to choose the screen “on” time	0 = screen is always “on”
	Screen protect time		
HPon	High Power	Use the ↑ or ↓ buttons to choose led maximum output or run the led at max 33.3% output	On = 100%
	Power choose		off = 33.3%
ddof	dMX-controller delay	Use the ↑ or ↓ buttons to choose to use controller delay or not	
	controller delay		
Syof	Synchronization	Use the ↑ or ↓ buttons to choose use multi-light synchronization or not	
	Multi-light synchronization		
LoAd	LoAd	Hold down the ENTER button until the display reads “LoAd” i.e. loaded.	
	reset		
rEt n	rEturn	Press ENTER to save the data and get back to the main menu.	
	Back to function menu		

9. Fixture Personality.

There are just two fixture personalities or profiles and they are as follows

ADD 1

Channel	Data	Function
1	000~255	Warm White or Cool White Dimmer
2	000~005	No function
	006~255	Strobe: 6 is slowest, 255 is fastest
3	000~250	No function
	251~255	Sound mode: turns the led on or off via a noise (such as a click or clap or music).

ADD 1

Channel	Data	Function
1	0~255	Warm White or Cool White Dimmer

10. Cleaning and maintenance.

Now ignoring maintenance and cleaning is very good way of creating problems "down the road" and many companies and installations do just that. However the net result is, no matter what the fixture, premature failure!

Changing the oil in a car most people do on a regular basis.

So with the fixtures, regular maintenance is an excellent practice, if you want the fixtures to last.

So what is the maintenance for the fixture? Keep it clean. Dust and dirt accumulation can stop the body's heat sink from adequately keeping the COB led cool. Heat can destroy the led, the lens and other components. So just keep it clean.

The lenses should also be cleaned so the light output is maintained. Use only a moist lint-free cloth. Never use alcohol or solvents to clean the fixture.

11. Technical Specification.

- Operating voltage 100 – 240v
- Frequency 50 – 60 Hertz
- Single COB Led either Warm White or Cool White
- 292mm Length x 122mm width x 122mm height (11.5" x 5" x 5") (Allow a further 50.8mm 2" for connectors)
These dimensions above take into account the DMX box that is attached to the yoke arm on one side.
- Box dimensions 349.25mm x 165mm x 152.4mm (13.75" x 6.5" x 6")
- 2.0 kgs
- 4.4 pounds

Elektralite is a division of Group One. Group One and its divisions are constantly improving their product range and we reserve the right to make changes without prior notice.

Other Products.

ElektraLED has other great products that are manufactured under the Elektralite product line.

Go check out the website at www.myelektralite.com

A preview of the products include:-

Elektralite Elektrabar with glare shield for perfect cuts



Utilizing homogenized 6-in-1 leds. RGBWAI where the I is indigo (not UV) ; this way pastels like Lee 170 Lavender are flawlessly achieved. Perfect cuts are achieved using the glare shield as shown in the photo.

The Elektralite 1018



Using 18 high powered 12 watt leds, the Elektralite 1018 is available using 4-in-1 or 6-in-1 leds. Each led can produce any combination of colors as each led is either an RGBW or RGBWAI device

Elektralite ML902



The ML902 utilizes a 120 watt Led and is brighter than a 250 discharge light source. Features include:- Color wheel, two gobo wheels, rotating gobos, rotating 3 facet prism, focus, dimmer, strobe and 16 bit pan and tilt.

Elektralite Stingray Ellipsoidal



The Elektralite Stingray is a 300 watt LED ellipsoidal with the output of a conventional 750 watt fixture. Different LED types are available including Warm White, Daylight (5600K) and a 250 watt or 400 watt RGBW (where W = 3200K).

There is also a 600 watt Variable White ellipsoidal.

Elektralite SLA



The SLA is the perfect compact IP65 fixture for accent lighting everything from trees and walls to product high lighting. Even though it is compact it packs a massive punch with its 15 watt Cree RGBW leds.

elektraLite Fresnel



There are several different Fresnel COB Led models.

300watt Warm White and Cool White

400watt RGBW (where W=3200K).

600watt Variable White

All with auto zoom from 15 to 50 degrees.

Touch screen and manual rotaries.